

ܘܢܝܢܐ

(Lesson 2)

ܘܢܝܢܐ ܠܘܘܬܐ

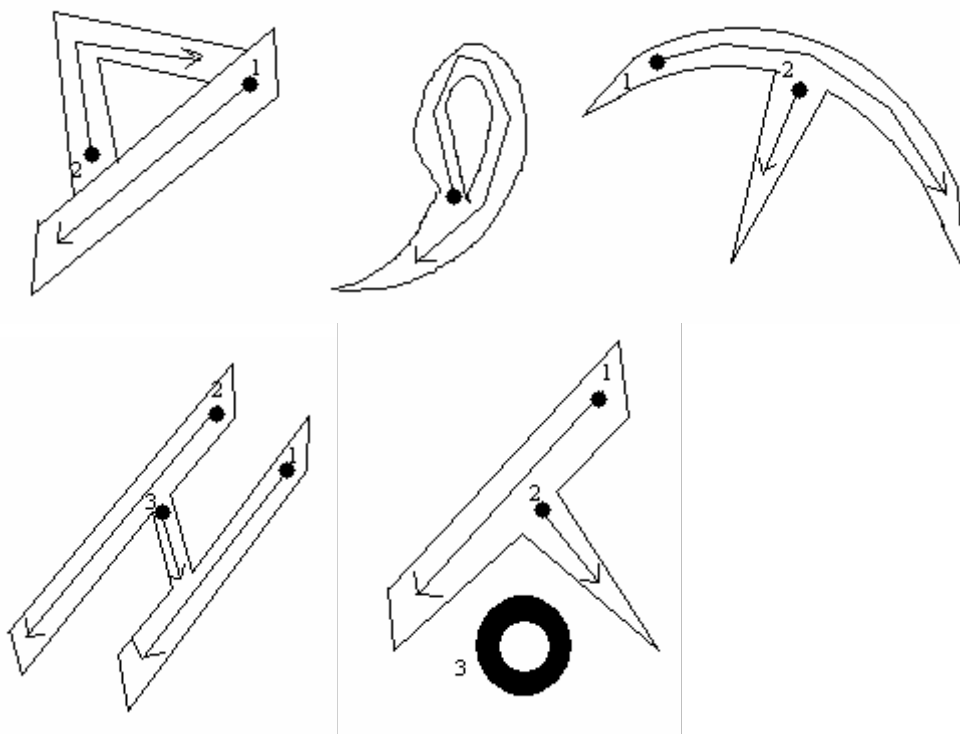
(Introduction to the Vowels)

.

In Western Aramaic there are 5 vowels:

The Sound of the Vowel in English/Arabic	ܘܢܝܢܐ (The Vowel)	ܘܢܝܢܐ (The Name of the Vowel)
a ـ	ܘܢܝܢܐ	ܘܢܝܢܐ pʔoħo ܘܢܝܢܐ
o أو	ܘܢܝܢܐ	ܘܢܝܢܐ zqofo ܘܢܝܢܐ
é ا ء	ܘܢܝܢܐ	ܘܢܝܢܐ rvoʂo ܘܢܝܢܐ
ee ـ	ܘܢܝܢܐ	ܘܢܝܢܐ ħvoʂo ܘܢܝܢܐ
oo و	ܘܢܝܢܐ	ܘܢܝܢܐ ʂoʂo ܘܢܝܢܐ

How to write the vowels:



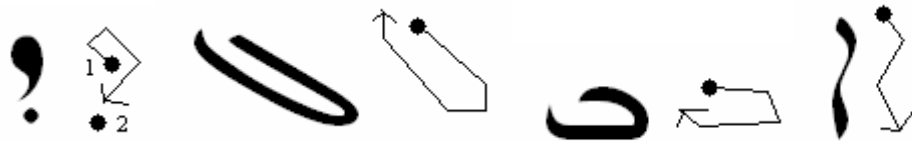
Exercise: Re-write the following vowels five times.

e	h	u	o	v



How to write the abjad (Alphabet):

(The olaf and the lomaḍ are the tallest letters. The 'é is like the lomaḍ, but shorter)



ن م

و ح

ز و

ه و

ي

ل ا

<i>End of the Word</i>	<i>Middle of the Word</i>	<i>Beginning of The Word</i>	<i>Stand Alone</i>
└			˘
┐	┐	┐	┐
⸮	⸮	⸮	⸮
˙			˙
ø			ø
o			o
˘			˘
ʒ	ʒ	ʒ	ʒ
z	z	z	z
˘	˘	˘	˘
└	┐	┐	└
⸮	⸮	⸮	⸮
z	z	z	z
˘	˘	˘	˘
g	g	g	g

۶	۶	۶	۶	۶	۶	۶
۶	۶	۶	۶	۶	۶	۶
۶	۶	۶	۶	۶	۶	۶
۶	۶	۶	۶	۶	۶	۶
۶	۶	۶	۶	۶	۶	۶
۶	۶	۶	۶	۶	۶	۶
۶	۶	۶	۶	۶	۶	۶
۶	۶	۶	۶	۶	۶	۶

❖❖❖

The olaf in Syriac has no value, it is not pronounced when there is no vowel over it,

except when used as a number. It's similar to the 'hamzé' in Arabic 'ء'. The English pronunciation is the most accurate for the most part.

The letter yooḏ, sometimes writing as yudh is the smallest letter of the Aramaic abgad (Alphabet). The letter "g" (Gomal) is pronounced like the first "g" in 'g'arage.

Exercise: Practise reading the Syriac letters with the different vowels, and the letters without the vowels (without the vowels the Arabic pronunciation would be the closest)

ⲟ	Ⲡ	ⲡ	Ⲣ	ⲣ	The Letters
ⲟ̇ OO ⲉ̇	Ⲡ̇ EE ⲓ̇	ⲡ̇ É ⲓ̇	Ⲣ̇ O ⲓ̇	ⲣ̇ A ⲓ̇	ⲟ̇ Ah ⲉ̇
ⲟ̇ BOO ⲓ̇	Ⲡ̇ BEE ⲓ̇	ⲡ̇ BÉ ⲓ̇	Ⲣ̇ BO ⲓ̇	ⲣ̇ BA ⲓ̇	ⲟ̇ Bh ⲓ̇
ⲟ̇ GOO ⲓ̇	Ⲡ̇ GEE ⲓ̇	ⲡ̇ GÉ ⲓ̇	Ⲣ̇ GO ⲓ̇	ⲣ̇ GA ⲓ̇	ⲟ̇ G-h ⲓ̇
ⲟ̇ DOO ⲓ̇	Ⲡ̇ DEE ⲓ̇	ⲡ̇ DÉ ⲓ̇	Ⲣ̇ DO ⲓ̇	ⲣ̇ DA ⲓ̇	ⲟ̇ Dh ⲓ̇
ⲟ̇ HOO ⲉ̇	Ⲡ̇ HEE ⲉ̇	ⲡ̇ HÉ ⲉ̇	Ⲣ̇ HO ⲉ̇	ⲣ̇ HA ⲉ̇	ⲟ̇ Hh ⲉ̇
ⲟ̇ WOO ⲟ̇	Ⲡ̇ WEE ⲟ̇	ⲡ̇ WÉ ⲟ̇	Ⲣ̇ WO ⲟ̇	ⲣ̇ WA ⲟ̇	ⲟ̇ Wh ⲟ̇

وُ	و	ؤ	وُو	وَ	وْ
اُ ZOO	اُ ZEE	اُ ZÉ	اُ ZO	اُ ZA	ا Zh
زُ	ز	ز	زُو	زَ	زْ
هُ hOO	هُ hEE	هُ hÉ	هُ hO	هُ hA	ه h-h
حُ	ح	ح	حُو	حَ	حْ
تُ tOO	تُ tEE	تُ tÉ	تُ tO	تُ tA	ت t-h
طُ	ط	ط	طُو	طَ	طْ
يُ YOO	يُ YEE	يُ YÉ	يُ YO	يُ YA	ي Yh
يُ	ي	ي	يُو	يَ	يْ
كُ KOO	كُ KEE	كُ KÉ	كُ KO	كُ KA	ك K-h
كُ	ك	ك	كُو	كَ	كْ
لُ LOO	لُ LEE	لُ LÉ	لُ LO	لُ LA	ل Lh
لُ	ل	ل	لُو	لَ	لْ
مُ MOO	مُ MEE	مُ MÉ	مُ MO	مُ MA	م Mh
مُ	م	م	مُو	مَ	مْ
نُ NOO	نُ NEE	نُ NÉ	نُ NO	نُ NA	ن Nh
نُ	ن	ن	نُو	نَ	نْ

SOO سُو	SEE سِ	SÉ سِ	SO سُو	SA سِ	S-h سِ
'OO رُو	'EE رِ	'É رِ	'O رُو	'A رِ	'h رِ
POO فُو	PEE فِ	PÉ فِ	PO فُو	PA فِ	P-h فِ
ṢOO صُو	ṢEE صِ	ṢÉ صِ	ṢO صُو	ṢA صِ	Ṣ-h صِ
QOO قُو	QEE قِ	QÉ قِ	QO قُو	QA قِ	Qh قِ
ROO رُو	REE رِ	RÉ رِ	RO رُو	RA رِ	Rh رِ
ŠOO شُو	ŠEE شِ	ŠÉ شِ	ŠO شُو	ŠA شِ	Š-h شِ
TOO تُو	TEE تِ	TÉ تِ	TO تُو	TA تِ	T-h تِ



Alternate spelling (in English) for the names of letters in Syriac, and the meaning of each letter:

The Meaning of the Letter	The Name of Letter	The Letter
Bull, Ox	Olaph	ܐ
House, Tent	Bet	ܒ
Camel	Gomal	ܓ
Door (Dam)	Dolat	ܕ
Window, Fence	Hé	ܗ
Wedge, Nail	Waw	ܘ
Weapon	Zain	ܙ
Wall, Obstacle	Het	ܚ
Snake	Tet	ܛ
Hand	Yud	ܝ
Palm of Hand	Koph	ܟ
Staff	Lomad	ܠ
Water (Ocean)	Mim	ܡ
Fish	Nun	ܢ
Foundation	Semkat	ܣ
Eye	‘ain	ܥ
Mouth	Fé	ܦ
Fish-hook	Sodé	ܨ
Monkey	Quph	ܩ
Head, Top Person	Rish	ܩ
Teeth	Shin	ܫ
Mark, Sign, Cross	Taw	ܬ

(You’ll notice that the ‘ܥ’ can be pronounced as ‘p’ or ‘f’, we will cover this topic in later lessons, in Western Syriac (starting not to long ago) the letter ‘ܥ’ is pronounced as ‘f’ no matter what state it’s in (which is grammatically wrong). There are still some scholars that will pronounce it as ‘p’, and like them I prefer to use the ‘p’ when appropriate and the ‘f’ when appropriate.)

The Syriac (Aramaic) History (Part 2)

(This historical material is written by other authors, and this author doesn't claim authorship of the material in the section "The Syriac (Aramaic) History")

Ancient Phoenician Period (5250-3800 B.C.)

- The first house on Earth that's built with stone appeared in Byblos around 5250 B.C.
- Great progress in Lebanon: domestication of animals, art of jewel making, and the precious stones industry.

Eneolithic Period (3800-3200 B.C.)

- Appearance of copper in industry at Byblos.
- The opening of the metal era.
- Further progress in the industry and art of ceramics, of precious stones, ivory, gold, and silver.

Proto-urban Period (3200-3000 B.C.)

- Progress of metallurgic industry.
- Which lead to houses built of stone being divided into many rooms and halls, and assembled within city walls.



(Names – šmo-hé) | مَعْدَتَا

English	French	Arabic	Karshouni	Syriac
John-Maró	Jean-Marón	يوحنا مارون	yoo-ḥa-non mo-roon	ܝܘܚܢܐ ܡܪܘܢܐ
Julian	Julien	يولييانوس	o-yool-ya-nos	ܐܘܠܝܝܢܘܫܐ
Italy	Italie	إيطاليا	ee-ṭa-lee-ya	ܐܝܬܐܠܝܐ
Isaac	Isaac	إسحاق	ees-ḥoq	ܐܝܨܚܐܩ
Israel	Israel	إسرائيل	ees-ro-yél	ܐܝܨܪܐܝܠ
Herode	Hérode	هيرودس	hé-ro-dés	ܠܘܕܐܝܘܨܐ

